

Pick & Place solutions for every Industry

Industrial Manipulators & Customized Grippers | Material Handling Automation
Modular Aluminium Rails



Fine Handling has been pivotal in bringing world-class, innovative material handling solutions, pick & place transfer devices and specialized solutions to the Indian and global markets.



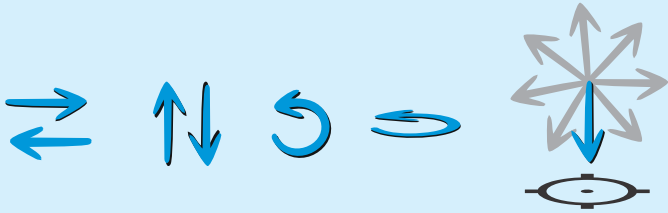
Fine Handling & Automation
is recipient of the prestigious

G. S. Parkhe
Innovation Award 2022 by





Facing challenges in material handling?



We offer custom-designed material handling solutions for critical non-standard pick and place tasks.

Our innovative solutions ensure **ergonomic, safe, efficient and reliable** material handling for you.

Industrial Manipulators and Customized Grippers

Safe and ergonomic material handling for all types of pick and place tasks

1

Effortless movement of material and change in orientation.

2

Handling materials in **critically constrained areas** – hazardous, sensitive tools, very compact etc.

3

Ideal for repetitive handling tasks in Machine shop & Assembly shop.

4

Ease of handling components ranging **from 5 kg to 1500 kg.**

5

Handle **intricate or machined** components with equal ease.



Portable, easy handling for Truck wind shield



Easy, quick and accurate placement of fuel tank from the floor onto overhead assembly line



Compact solution for pick and place with orientation change for odd shaped machined component



Tilting drums by 180° in small areas is easy and spillage free



Telescopic Manipulators for easy movement & change of orientation for machined components in a confined space



Efficient transfer of components – between machines, or across shop floor



Jib Crane for ergonomic movement in compact spaces



Making it **less tiring** to pick hundreds of tyres for assembly



Manipulator with vacuum gripper for safe handling of metal tanks

Material handling automation with innovative concepts



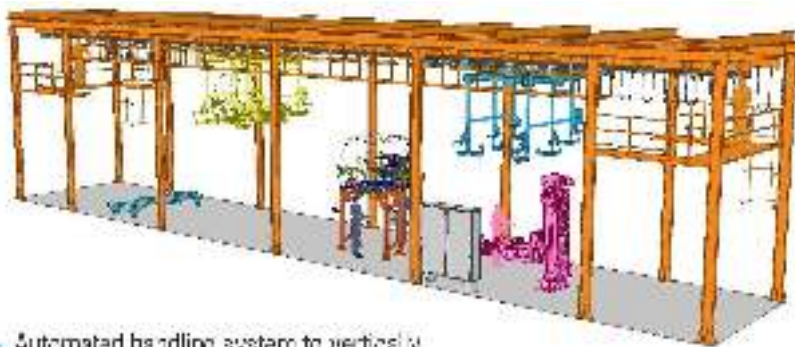
Innovative solution for auto pick and place of forged or cast components



Integrated handling system for transferring components across production lines



Gantry systems for machined components and sheet metal parts



Automated handling system to vertically lift, rotate and accurately place EV frame on multiple station

Pick & Place solutions supplied for

Automobile

- Cylinder block
- Crankcase
- Gear shaft
- Crank shaft
- Cockpits
- Windshields
- Sub frame

Non Automobile

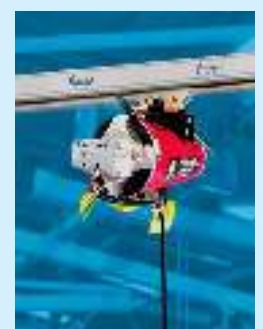
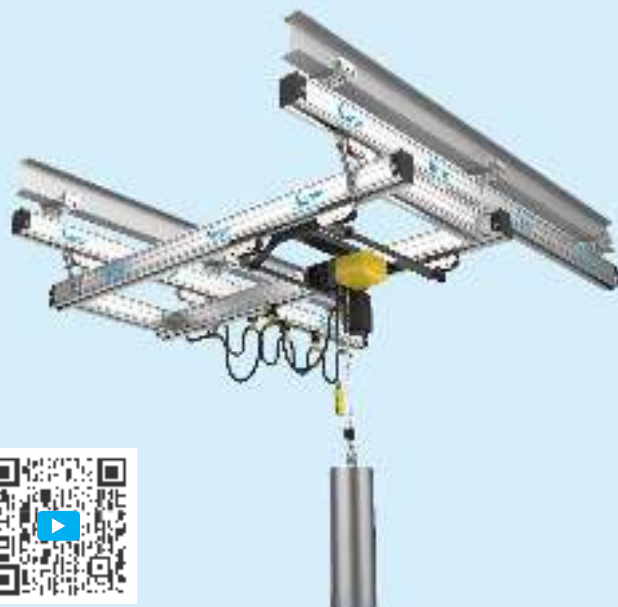
- Reels
- Carton box
- Cutter bits
- Paver block
- Forged components

And thousands other components...



Advanced modular aluminium rails systems for speedy, smooth and safe movement of material

finrae offers the widest range of highly advanced, world-class Aluminium Rail Systems for routine and critical material transfer tasks. finrae's comprehensive and modular range of rail system serves as the backbone of your material handling needs by providing an ergonomic solution and ease of handling.



Watch Video

Complete in-house Capabilities



Years of Expertise

Dedicated design and R&D team for new product development, in-house FEA & FMEA analysis for every project. Well-proven, documented, quality systems & processes.

Complete in-house manufacturing

Fabrication, welding to assembly and testing; all critical processes are done in-house

Specialized teams

- PLC Programming
- Spares and consumables service
- Production and assembly
- QC and Testing
- On-site Installation and Maintenance support



Our Customers



Fine Handling & Automation

Fine Handling & Automation Pvt Ltd

Gat No. 804, Pune-Bangalore Highway, Near Toll Plaza, Khed Shivapur, Dist. Pune - 412 205, Maharashtra, India.

Mob: +91 88888 08971 / +91 91300 99384

Email: Sales@fine-handling.com

Branch Offices: Delhi | Chennai

www.fine-handling.com