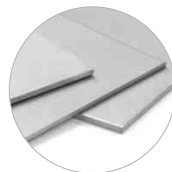




Ideal for Loading of
Sheets on Laser Cutting Machine,
Hydraulic Presses



Sheet Metal Plates



Sheet Metal Parts



Wooden Boards



Glass Sheets

**Meet the most versatile and affordable
vacuum lifters on the market**

From lifting heavy steel plate to fragile sheets of glass, Finvac range of vacuum lifters offer the highest level of safety and ease of handling for diverse applications in multiple industries.

A Product by

Fine Handling
& Automation

Pick and place experts



Fine Handling has a proven expertise in developing pick and place solutions for highly challenging components and applications, across industries. With close to two decades of experience in providing specialised pick and place solutions, Fine Handling works as a trusted partner with some of the world's leading companies to improve safety and efficiency of their processes.

With FinVac, Fine Handling brings its highly reliable and well proven range of vacuum lifting solutions for handling of heavy sheets/plates made of metals, glass, wood and other similar dense flat components.



20+ years of expertise in Customised Material Handling Solutions

1500+ installations

500+ Customers in over 10 industry sectors



Watch Video

Solution Overview



Gantry System



Manipulators



Air Balancers



Vacuum Tube Lifters



Rail Systems



ElbowLIFT



AccelLOADER



LIFTnMOVE



FoldARM



Customized Grippers

ADVANCED, EFFICIENT AND ECONOMICAL RANGE OF VACUUM LIFTERS AND CRANE SOLUTIONS



Finvac vacuum lifting systems are designed to simplify your daily material handling tasks, especially with heavy or hard-to-handle loads.

Finvac offers proven and reliable technology for a variety of **manual lifting tasks** suitable in wide range of industries. Moving loads that took several labourers in the past can now be easily handled by a single person with assistance from a vacuum lifter solution from Finvac.

The solutions includes a Finvac **vacuum lifter** device coupled with a well matched **crane and rails system**. From lifting of heavy steel plate to the fragile sheets of glass, Finvac range of vacuum lifters are highly versatile and affordable vacuum lifters on the market.

KEY FEATURES

- Compact, ergonomic designs
- Consistent and reliable with high load bearing capacity
- In-built safety interlocks, logic
- Remote control (optional)



Light Weight
Extrusion mounting ensures lighter weight and easy operations



Vacuum Tank
Concealed end caps for extrusion mounting to ensure precision vacuum levels and hold



PU Suction Pads
Long lasting, high performance, adjustable PU vacuum pad for strong, reliable grip



Adjustable Lever
Easily adjusts the distance between vacuum pads to grip components of various sizes

Ergonomics

- Adjustable equipment heights
- All control layout for easy use and monitoring

Vacuum

- Large vacuum generators
- Optimal suction-pad module design
- Long life, damage-free gripping

Safety

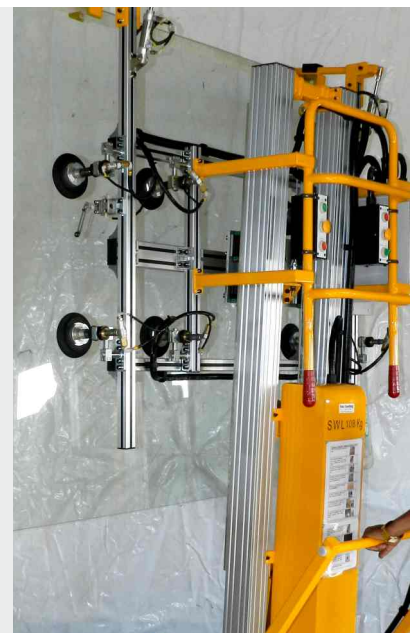
- Vacuum reservoirs
- Vacuum gauge
- Manual safety valve
- Safety handle for Operator
- Intelligent safety alarms (optional)

Quality

- Critical and general components comply with global standards
- Well proven for safety norms specified by some of the largest companies in the world

Construction

- Mechanical construction with robust welding
- Components from reputed German manufacturers (Vacuum pumps, Vacuum cups, Actuators etc.)
- Robust SS construction for specialised applications in Food, Pharma etc.



WITH THE FREEDOM TO LIFT, SWIVEL AND TURN - EVERYTHING IS POSSIBLE!

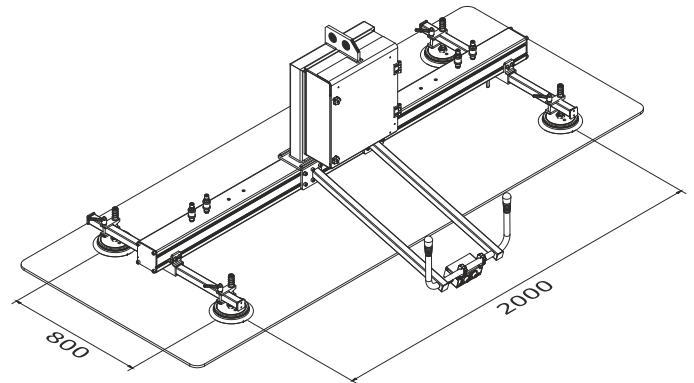
Horizontal vacuum lifting /material handling
 Vacuum Lifters designed for various products with both smooth and rough/porous lifting surfaces.



FINVAC - 250 FOR LOADS UP TO 250 KG

Simple, Easy and Safe handling for loads with flat surfaces of different sizes and shapes

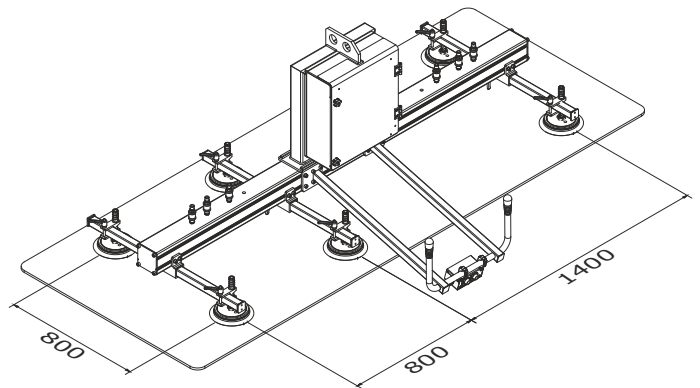
| SPECIFICATION | |
|---------------|--------------------------------------|
| Vacuum Pump | 125 LPM (Higher capacity on request) |
| Vacuum Pad ø | 210 mm |
| No of Pads | 4 |



FINVAC - 500 FOR LOADS UP TO 500 KG

Ideal helper in horizontal handling and feeding sheet metal plates laser cut machine and presses

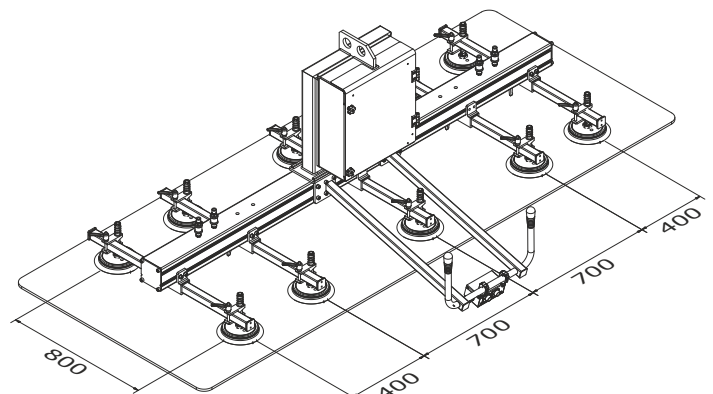
| SPECIFICATION | | |
|---------------|--------------------------------------|--------|
| Vacuum Pump | 125 LPM (Higher capacity on request) | |
| Vacuum Pad ø | 210 mm | 340 mm |
| No of Pads | 6 | 2 |



FINVAC - 1000 FOR LOADS UP TO 1000 KG

Eliminate the complexity and risks while handling long, wide and heavy sheets

| SPECIFICATION | | |
|---------------|--------------------------------------|--------|
| Vacuum Pump | 125 LPM (Higher capacity on request) | |
| Vacuum Pad ø | 210 mm | 340 mm |
| No of Pads | 10 | 4 |



*All the specs are defined considering standard size of 3000mm X 1500mm Metal Sheet, system can be customized for the sheets of different sizes.

SWIVELING BY 360° AND TILT BY 90°

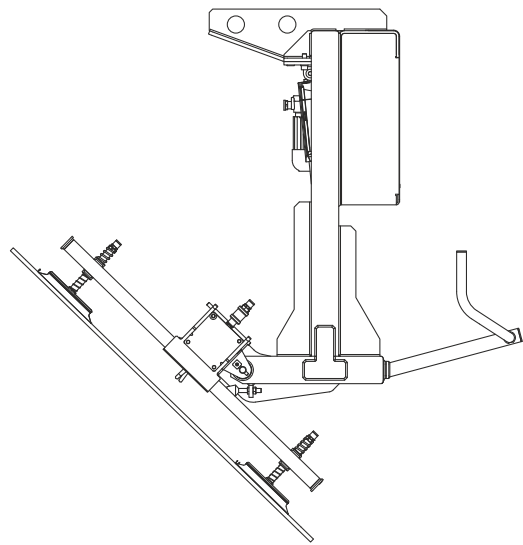
For loads that need swivel and tilted in handling, the swivelling or turning are achieved with pneumatic or electric actuators.



FINVAC - TILT 90° FOR LOADS UP TO 50/100/150 KG

Enable effortless the tilting of the loads upto 90° via push-button mounted manipulating arm

| TILT | 50 | 100 | 150 | |
|--------------|---------|---------|---------|--------|
| Vacuum Pump | 125 LPM | 125 LPM | 125 LPM | |
| Vacuum Pad ø | 210 mm | 210 mm | 210 mm | 340 mm |
| No of Pads | 2 | 4 | 6 | 2 |



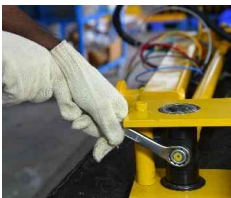
Custom designed solutions for specific applications

Several applications have very unique requirements which cannot be easily fulfilled by the standard range of vacuum lifting solutions. These applications may require a part or the entire system to be re-imagined, significantly. For all such applications,

Finvac offers specialist and custom designed solutions that adapt to the specific ergonomic operation needs.

Examples of specialised applications include

- Handling heavier or highly fragile loads
- Require a high level of safety
- Difficult handling environment
- Loads with oily/wet surfaces
- Loads with large area

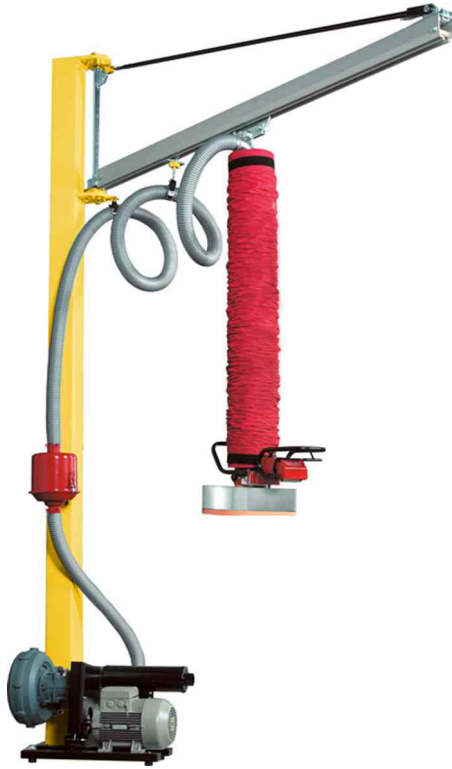


Service

- Assistance in researching suction pads for special load materials
- Annual safety inspections (chargeable)
- End-to-end after-sales support

VACUUM TUBE LIFTERS

Effortless material handling, rapidly and efficiently



Vacuum tube lifters are specially designed to lift all types of materials, boxes, sacks, drums, sheet metal, electronic equipment, crates and drums. The Vacuum tube lifters are driven by an electric vacuum pump or pneumatic vacuum pump.

FEATURES

Customised according to your specific needs

Ideal for handling material up to 200 Kg.

Suction foot customised in accordance to vacuum tube nullifying the risk of material dropping



BUY FROM THE MANUFACTURER!

Buying Finvac range also gives you an expert design and engineering support to develop and build the right solution for your application. The highly experienced design team at Finvac assists you to individually design, build and supply your a vacuum lifting solution to your specifications.

With a fully dedicated support services team, Finvac means a quick and easy access to servicing, spare parts and installation support.



VACUUM LIFTER TRAINING

While using vacuum lifting devices may seem obvious and easy, it is observed that proper training to use these systems has helped the Operators to significantly improve the safety and speed of operations. For Buyers who are shifting a manual process to vacuum lifting device assisted operation, training of the Operator has helped to ensure first time right use, better maintenance and life of equipment and higher throughput from the day of installation.

FINVAC INTEGRATION

MANIPULATOR WITH FINVAC BASED GRIPPER

Finvac can be easily coupled with a wide variety of manipulators and grippers. Typically, Telescopic systems are used in places with low vertical height. The key features of options for integration of Aluminum rails with Telescopic manipulator for automation of continuous pick and place requirement includes:

- Friction drives for electrical movement in X- and Y direction
- Flangeable grippers with vacuum or mechanical clamping elements
- Ergonomic manipulating handles with all necessary control buttons

RAIL MOUNTINGS

Rail mountings are highly popular and find widespread applications to aid vacuum lifting applications. Owing to their light weight, high flexibility and smooth movement, Rail mounting, when coupled with vacuum lifting equipment offer a superior handling operation.

Finvac uses high quality, advanced rail systems from finrae which come as standard suspensions for ceilings, T-beams or beam connections. The finrae rails guarantee high operational safety with ease of handling.

- Aluminum Rails with lengths up to 8 m
- Robust and smooth trolleys with lateral guiding castors
- Cable and hose trolleys in robust & smooth plastic design

ElbowLIFT - A PERFECT COMPANION FOR LARGE LOADS

The ElbowLIFT is customized handling equipment designed for lifting large loads with vertical lift. It is especially useful for the applications with less headroom and large component size. This makes ElbowLIFT an ideal companion for integration with Finvac, especially at the places where travel distance is more and application requires total handling automation.

- Ideal for instances where automatic lifting and placement is required
- Perfect fit for handling large and heavy component
- Significant reduction in time as compared to conventional systems



KEY CUSTOMERS

ASHOK LEYLAND | ATLAS COPCO | AUDI - INDIA | AURA LASER - PUNE
BOSCH | BMW | CATERPILLER | COMAU | CUMMINS | ESCORTS
FANUC | FIAT | FORD | GE | HONDA | JCB | JOHN DEERE
KAKADE LASER - PUNE | KUKA | LUK-INDIA | MAHINDRA | MAKINO
MARUTI SUZUKI | MAZAK | MERCEDES BENZ-INDIA | NISSAN - JAPAN
PERNORD RICCARD | P N INTERNATIONAL | RENAULT NISSAN | SWARAJ
SANDVIK | TATA | TOYOTA | VOLVO EICHER



Finvac - a product by Fine Handling & Automation Pvt Ltd

Gat No. 804, Pune-Banglore Highway, Near Toll Plaza,
Khed Shivapur, Dist. Pune - 412 205, Maharashtra, India.
Mob: +91 88888 08971 / +91 91300 99384

E-mail: sales@fine-handling.com Website: www.fine-handling.com

Branch Offices: Delhi | Chennai